

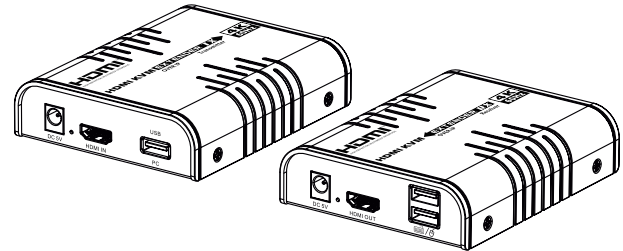
**H25123套装英文说明书AH2: 0106010022568**

**材质: 157g 铜版纸**

**尺寸: 100x138mm**

**装订方式: 骑马钉**

## 4K 60Hz HDMI KVM OVER IP EXTENDER



### Disclaimer

The product name and brand name may be registered trademark of related manufactures. ™ and ® may be omitted on the user manual. The pictures in this user manual are just for reference. We reserve the rights to make changes without further notice to a product or system described herein to improve reliability, function or design.



The terms HDMI, HDMI High-Definition Multimedia Interface, HDMI Trade dress and the HDMI Logos are trademarks or registered trademarks of HDMI Licensing Administrator, Inc.

## • Important Safety Instructions:

- 1) Do not expose this device to rain or place it near water. Any liquid that goes into the device may cause a failure, fire, or electric shock.
- 2) Never insert anything metallic into the open parts of this device. This may cause a danger of electric shock.
- 3) Do not place this device near or over a radiator or heat register, or where it is exposed to direct sunlight.
- 4) The device should be repaired only by a qualified technician.
- 5) If a third-party power supply is used, please ensure that the power supply specifications meet the product requirements.

## • Introduction

This 4K@60Hz HDMI over IP extender kit, including a transmitter and a receiver, realizing switching, extending and distributing 4K@60Hz audio and video signals via the IGMP switch. The HDMI signal can be extended up to 120 meters over CAT 6 or higher-level networking cables. Supports one-to-one, one-to-many, many-to-one and many-to-many connection. It also supports KVM functions, and can be widely used in audiovisual conference, transportation control center, radio and television, education and training and other fields.

## • Features

1. Built on ipcolor STREAM™ technology to deliver high-definition and low-latency transmission.
2. Supports up to 4096 x 2160@60Hz resolution, backwards compatible.
3. Compatible with Cat5e/6 or higher-level networking cables, transmission distance of Cat6 cable is 120 meters.

4. Supports one-to-one, one-to-many, many-to-one and many-to-many connection through the gigabit switch.
5. Supports KVM control signal passback.
6. Supports 256 signal source inputs and 256 signal outputs.
7. Signal sources can be switched via the APP for flexible many-to-many matrix configuration.
8. Firmware upgrading via Micro USB port.
9. Lightning protection, surge protection, ESD protection.
10. Supports stable 24/7 operation.

## • Package Contents



Transmitter x1



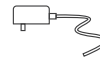
Receiver x1



User manual x1



USB Cable x1pcs



DC5V/1A  
Power adapter x 2

## • Installation Requirements

| Item                 | Description  | Requirement                 |
|----------------------|--|-----------------------------|
| Signal source device | PC, DVD, NVR, etc. with HDMI port                            | HDMI cable ≤ 5m             |
| Cable                | Cat5e/6 or above, following standard IEEE-568B               | Cat6/6A/7 ≤ 120m            |
| Display device       | TV, projector, LED screen, etc. with HDMI port               | HDMI cable ≤ 5m             |
| Network switch       | One-to-many, many-to-one, many-to-many or switch cascade     | IGMP Gigabit switch         |
| Router               | Use the APP to control the product while in the same network | Gigabit bandwidth or higher |

## • Panel Description

### 1. Transmitter(Tx)



|   |                    |  |
|---|--------------------|--|
| ① | Power indicator    | The indicator will turn on when power up   |
| ② | KVM indicator      | 1) Light flashing: The KVM data is transmitting<br>2) Steady on: The computer and the USB port are connected |
| ③ | Micro USB port     | Used for firmware upgrading  |
| ④ | RJ45 signal output | Connect with the network cable   |
| ⑤ | Reset button       | 1) Press to restart the device<br>2) Press and hold for 5 seconds to restore factory settings                |
| ⑥ | Power input        | Connect with DC5V/1A power adapter   |
| ⑦ | HDMI input         | Connect with the source device   |
| ⑧ | USB port           | Connect to the computer with USB cable   |

## 2. Receiver(Rx)



|   |                   |   |
|---|-------------------|---|
| ① | Power indicator   | The indicator will turn on when power up  |
| ② | KVM indicator     | 1) Light flashing: The KVM data is transmitting<br>2) Steady on: The mouse, the keyboard and touch screen are connected |
| ③ | Micro USB port    | Used for firmware upgrading   |
| ④ | RJ45 signal input | Connect with the network cable  |
| ⑤ | Reset button      | 1) Press to restart the device<br>2) Press and hold for 5 seconds to restore factory settings                           |
| ⑥ | Power input       | Connect with DC5V/1A power adapter  |
| ⑦ | HDMI output       | Connect with HDMI display device  |
| ⑧ | USB port          | Connect with mouse, keyboard and touch screen   |

## • Installation Procedures

### 1. How to make a network cable

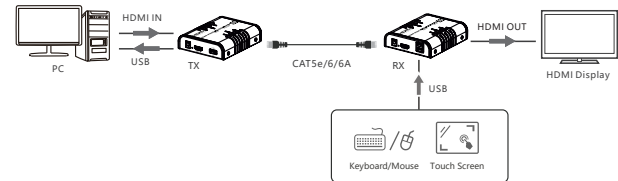


Follow the standard of IEEE-568B:

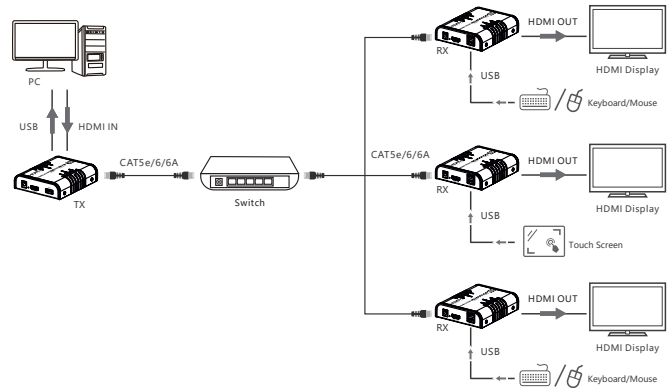
- 1-white and orange
- 2-orange
- 3-white and green
- 4-blue
- 5-white and blue
- 6-green
- 7-white and brown
- 8-brown

### 2. Connection Diagrams

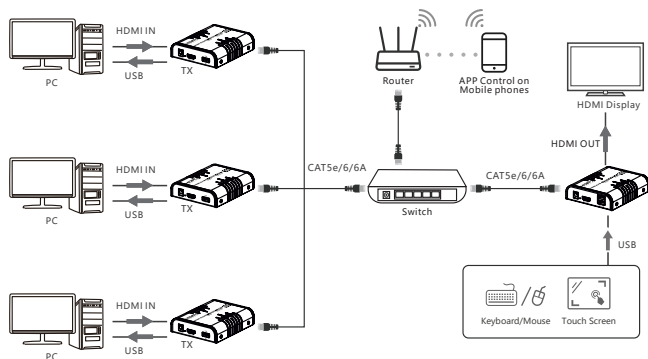
#### 2.1 One-to-one connection



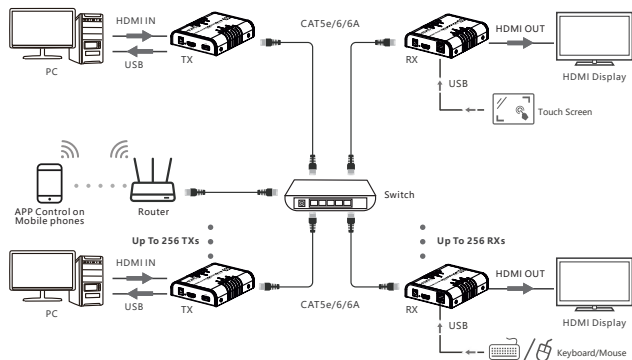
#### 2.2 One-to-many connection (through gigabit switch):



### 2.3 Many-to-one connection (Control via APP):



### 2.4 Many-to-many connection (Control via APP):



**Note:** It is suggested to use gigabit (1000 Mbps) IGMP switches in LAN transmission. DO NOT mix 100Mbps and gigabit switches when using switches cascading. The capacity of connecting transmitter and receivers units when using switch cascading depends on the switch bandwidth.

### 3. Connection Instructions

- 1) Connect the source device to the HDMI IN port of the transmitter with an HDMI cable, and connect the HDMI OUT port of the receiver to the display device with another HDMI cable.
- 2) If the connection is one-to-one, connect the RJ45 port of the transmitter and receiver with a Ethernet cable. If the connection is one-to-many, many-to-one, many-to-many, utilize the IGMP gigabit switch as a bridge to connect the transmitter and receivers with Ethernet cables.
- 3) If using the KVM function, connect the keyboard/mouse/touch screen to the USB port of the receiver, and connect the computer to the USB port of the transmitter via the USB cable
- 4) Plug the power supply into the devices to get started.

### 4. Download iMMS APP

Visit <https://www.ipcolor.org/download.html> to download the iMMS APP. For instructions, refer to the iMMS app under Settings - Help Center, and use the app to control the product.

### • FAQ

Q: TV display "Please check the TX input signal" ?

A:

- 1) Please check if there is a HDMI signal input of TX.
- 2) Try to connect the signal source directly to display device to see if there is signal output from source device or change the signal source HDMI cable and try again.

Q: Why is the output image unstable?

- A:
- 1) Check whether the length of the Ethernet cable is within the specified range, the length of HDMI cable is recommended to be  $\leq 5$  meters.
  - 2) Press the "reset" button on TX and RX panels to restart and reconnect.

Q: After downloading the app, the device is not detected?

- A:
- 1) Check whether the device is powered on and connected correctly.
  - 2) Verify that the device and app are on the same network.

## • Technical Parameters

| Item                         | Transmitter(Tx)  | Receiver(Rx) |
|------------------------------|--|--------------|
| <b>Video</b>                 |  |              |
| <b>Input interface</b>       | 1x HDMI  | 1x RJ45      |
| <b>Output interface</b>      | 1x RJ45  | 1x HDMI      |
| <b>HDMI length</b>           | $\leq 5$ m   | $\leq 5$ m   |
| <b>Maximum transfer rate</b> | 18Gbps   |              |
| <b>Compatibility</b>         | HDMI 2.0   |              |
|                              | HDCP 1.4/HDCP 2.2  |              |
| <b>Resolutions</b>           | 4096x2160@24/30/50/60Hz, 3840x2160@24/30/50/60Hz, 1080P@24/25/30/50/60Hz, 720P@50/60Hz, 576P@60Hz, 480P@60Hz, 1920x1200, 1680x1050, 1600x900, 1280x1024, 1280x960, 1280x720, 1024x768, 800x600 |              |
| <b>Connection types</b>      | One-to-one connection<br>One-to-many connection<br>Many-to-one connection<br>Many-to-many connection<br>Switch cascading   |              |
| <b>Transmission distance</b> | CAT5 80m / CAT5E 100m / CAT6 120m  |              |
| <b>Transmission latency</b>  | 1080P: 80~110ms<br>4K@60Hz: 120~170ms  |              |

|                              |  |                 |
|------------------------------|--|-----------------|
| <b>Audio signal</b>          |  |                 |
| <b>Input interface</b>       | 1xHDMI   | 1xRJ45          |
| <b>Output interface</b>      | 1xRJ45   | 1xHDMI          |
| <b>HDMI output</b>           | LPCM 2.0   |                 |
| <b>USB devices</b>           |  |                 |
| <b>USB</b>                   | Mouse, keyboard, touch screen  |                 |
| <b>Power</b>                 |  |                 |
| <b>Power Supply</b>          | DC 5V/1A   | DC 5V/1A        |
| <b>Power Consumption</b>     | TX $\leq 3.5$ W  | RX $\leq 2.5$ W |
| <b>Operating Environment</b> |  |                 |
| <b>Working temperature</b>   | - 20°C~60°C  |                 |
| <b>Storage temperature</b>   | - 30°C~70°C  |                 |
| <b>Humidity</b>              | 0~90%RH (no condensation)  |                 |
| <b>Physical Properties</b>   |  |                 |
| <b>Housing</b>               | Aluminium(Top cover); Iron(Bottom cover)   |                 |
| <b>Weight</b>                | 240g   | 243g            |
| <b>Color</b>                 | Black  |                 |
| <b>Dimensions</b>            | 109.6(L)x89.5(w)x26.3(H)mm   |                 |
| <b>Protection</b>            | ESD protection<br>1a Contact discharge level 2 ( $\pm 4$ KV)<br>1b Air discharge level 3 ( $\pm 8$ KV)<br>Implementation of the standard: IEC61000-4-2 |                 |
|                              | Lightning protection, Surge protection   |                 |