



## **KA033L HDMI MATRIX 4 IN 4 OUT 4K2K 60HZ**



### **Introduction**

This is a 4 in 4 out HDMI matrix switch, it can switch 4 HDMI input signals to 4 HDMI displays as needed. It supports up to 4096x2160@60Hz HDR UHD resolution, and a variety of switching methods (IR remote control, buttons and RS232) flexibly match input and output devices; Any two of the four HDMI outputs support Auto Down-scaling. This unit is a reliable, ultra-high-definition video transmission solution, which is widely used in security monitoring, education and training, exhibition and broadcasting, command center and other scenarios.

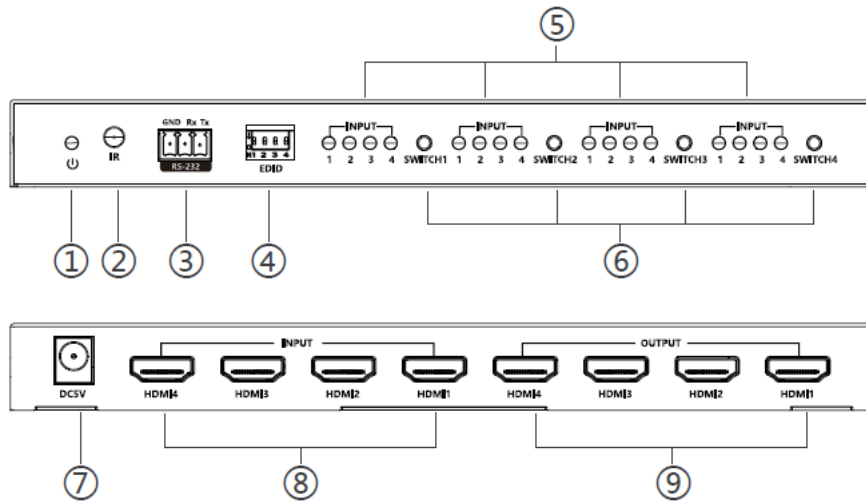
## **Features**

1. Support 4 HDMI input signals and 4 HDMI output signals.
2. Support up to 4096x2160@60Hz resolution and is backward compatible.
3. Support HDR10.
4. Support multiple switching mode: IR remote control, buttons, RS232.
5. Support setting the EDID of the product.
6. Any two of the four HDMI outputs support Auto Down-scaling.
7. Lightning protection, surge protection, ESD protection.

## Specification

Items	Description
HDMI version	HDMI2.0 (HDR, YUV4:4:4)
	Compatible with HDCP2.2, HDCP1.4
HDMI interface	4 HDMI input, 4 HDMI output
Transmission rate	18Gbps
Bandwidth	600MHz
Resolution	480i@60Hz, 480p@60Hz, 576i@50Hz, 576p@50Hz, 720p@50/60Hz, 1080i@50/60Hz, 1080p@50/60Hz, 3840×2160@24/25/30/60Hz, 4096×2160@24/25/30/60Hz
Audio format	LPCM7.1/DTS-HD/DTS-Audio/Dolby Digital plus/ Dolby TrueHD 7.1/Dolby Digital 7.1CH/Dolby Atmos
RS-232	3 Pin(GND/Rx/Tx), Baud rate 9600
Voltage	DC5V/1A
Power consumption	< 4W
Working temperature	-20°C~60°C
Storage temperature	-30°C~70°C
Humidity	0~90%RH(No Condensation)
Housing	Iron
Color	Black
Weight	375g
Dimensions	210.0(L)*80.0(W)*21.0(H) mm
Protection	ESD protection 1a Contact discharge level 2 (±4KV) 1b Air discharge level 3 (±8KV) Implementation of the standard: IEC61000- 4-2
	Lightning protection, Surge protection

## Panel Description



1.	Power indicator	When there is power, the indicator will light solid yellow
2.	IR receiving window	Receive IR signal
3.	RS-232	Used for RS-232 command control
4.	EDID DIP	Switch output display resolution
5.	HDMI input indicator 1,2,3,4	Corresponding to HDMI input 1,2,3,4 respectively
6.	HDMI output Switch 1,2,3,4	Control the switch of HDMI output 1,2,3,4 respectively
7.	DC5V	Connect with DC5V/1A power adapter
8.	HDMI input 1,2,3,4	Connect with HDMI source device
9.	HDMI output 1,2,3,4	Connect with HDMI display device

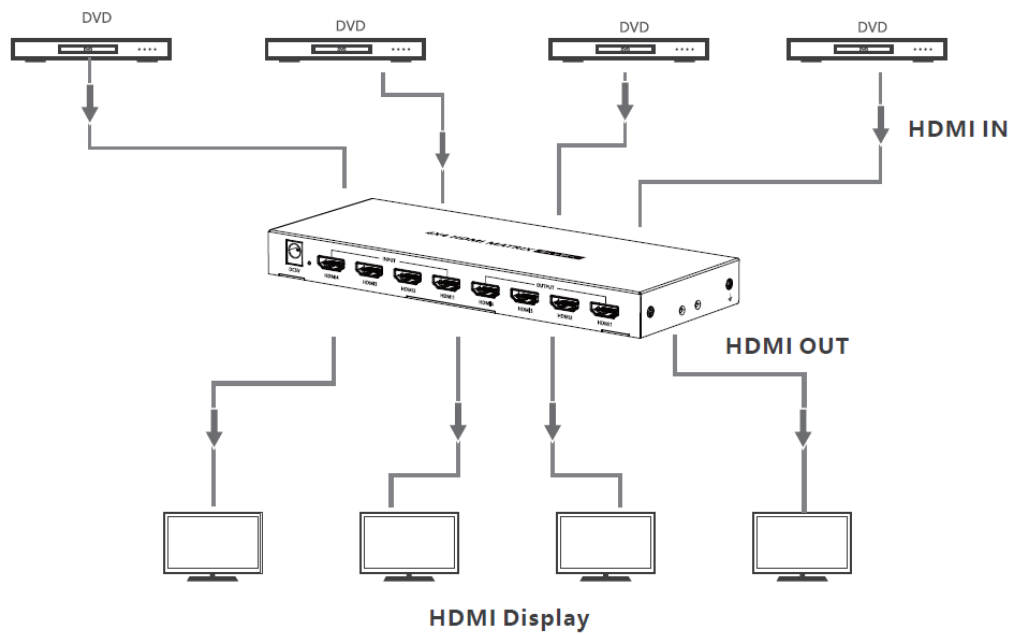
## Remote Control



This remote control is just used for inputs or outputs switched.

## Installation Procedures

### 1. Connection Diagrams



### 2. Connection Instructions

- I. Connect the source devices to the HDMI input ports with HDMI cables.
- II. Connect the display devices to the HDMI output ports with HDMI cables.
- III. Power on the devices to get started.