



## **KA231 HDMI WALL PLATE HDBASE-T EXTENDER 4K30HZ 70M UK TYPE**



### **Introduction**

The 4K HDBaseT Wall-plate supports one HDMI input, one DP input and one VGA with audio input within a standard medium 86mm×86mm wall box. The HDBaseT port over a single Cat6/6a cable extends distance up to 229.6ft / 70m with 1080p60Hz and up to 131.2ft / 40m with 4K30 YCbCr4:4:4 .The resolution up to 4K2K@30Hz YCbCr 4:4:4 for HDMI / DP ports and up to 1920x1200@60Hz for VGA port. The product supports manual and automatic switch mode and supports 24V POC function. Built-in two-way RS-232.

### **Features**

- HDMI 1.4, HDCP 1.4 and DP 1.2 compliant
- Support resolution up to 4K2K@30Hz YCbCr 4:4:4 for HDMI / DP ports
- Support resolution up to 1920x1200@60Hz for VGA port
- Support transmission distance up to 229.6ft / 70m with 1080p60Hz and up to 131.2ft / 40m with 4K30Hz YCbCr 4:4:4 over a single Cat6/6a cable.
- Support manual and automatic switch
- Support two-way RS-232
- Medium 86mm×86mm wall box
- Support 24V POC function

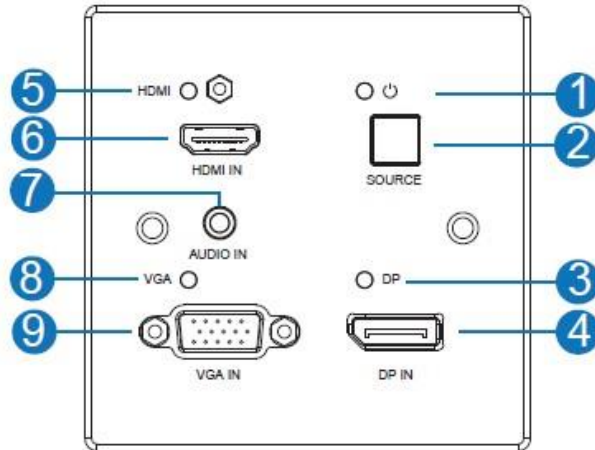
## Specifications

Technical	
HDMI Compliance	HDMI 1.4
HDCP Compliance	HDCP 1.4
HDMI / DP Video Bandwidth	10.2Gbps
HDMI / DP Video Resolution	Up to 4K2K@30Hz YCbCr 4:4:4
VGA Video Resolution	Up to 1920x1200@60Hz
Color Space	RGB, YCbCr 4:4:4, YCbCr 4:2:2
Color Depth	8-bit (4K2K@30Hz)
HDMI/DP Audio formats	LPCM, Dolby Digital/Plus/EX, Dolby True HD, DTS, DTS-EX, DTS-96/24, DTS High Res, DTS-HD Master Audio, DSD
VGA Audio formats	LPCM2.0 /48KHz
ESD Protection	Human body model $\pm 8kV$ (Air-gap discharge) & $\pm 4kV$ (Contact discharge)
Connections	
Transmitter	Inputs: 1x HDMI Type A [19-pin female] 1x VGA [15-pin female] 1x DP [Full size female] 1x AUDIO IN [3.5mm Stereo Mini-jack] Outputs: 1x HDBaseT Out [RJ45] Control: 1x RS-232 [Phoenix jack]
Mechanical	
Housing	Aluminium Enclosure — Front Panel Metal Enclosure — Rear Panel
Color	White — Front Panel Black — Rear Panel
Dimensions	86mm[W] x 86mm[D] x 41mm[H]
Weight	205g
Power Supply	DC 24V/1A
Power Consumption	5W (Max)
Operating	32 - 104°F / 0 - 40°C

Storage Temperature	-4 - 140°F / -20 - 60°C
Relative Humidity	20 - 90% RH (no condensation)

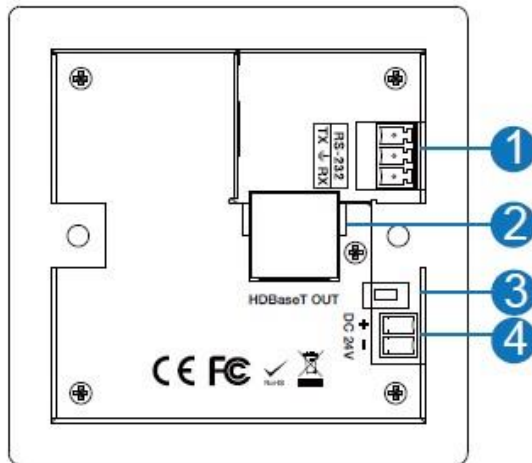
## Operation Controls and Functions

### □ Front panel



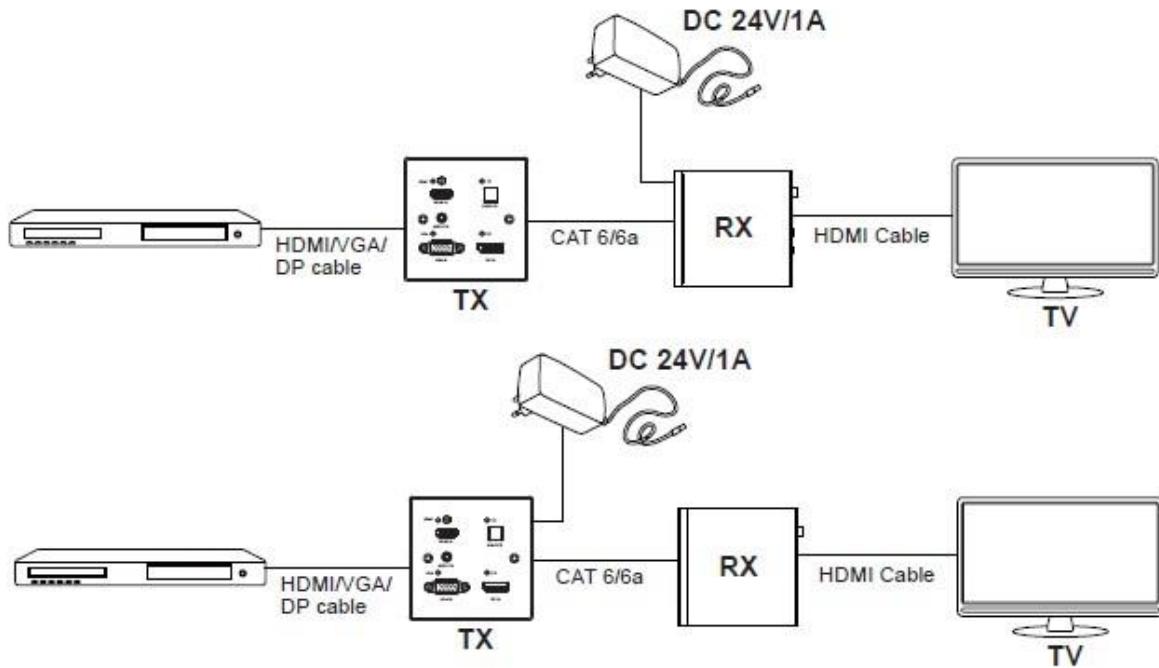
Number	Name	Function Description
1	Power LED	Signal status indicator. The LED will illuminate in green when the HDMI port or the VGA port or the DP port has active signal input.
2	SOURCE button	Use this manual switch to choose input signal source.
3	DP LED	The LED will illuminate in green when the DP port is selected and has active signal input simultaneously.
4	DP IN	DP input port. Connect to DP input signal source with a DP cable.
5	HDMI LED	The LED will illuminate in green when the HDMI port is selected and has active signal input simultaneously.
6	HDMI IN	HDMI input port. Connect to HDMI input signal source with an HDMI cable.
7	AUDIO IN	The VGA audio input port.
8	VGA LED	The LED will illuminate in green when the VGA port is selected and has active signal input simultaneously.
9	VGA IN	VGA input port. Connect to VGA input

source with an VGA cable. □ **Rear Panel**

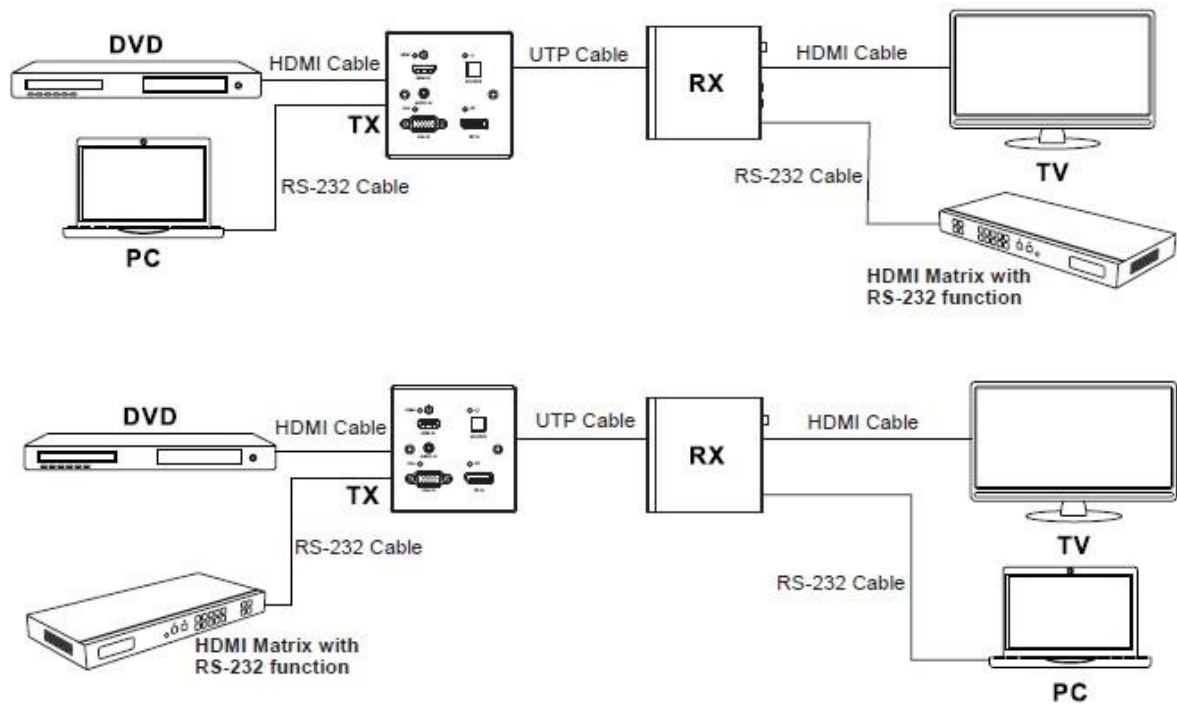


Number	Name	Function Description
1	RS-232	Use the phoenix jack for connect with PC or control system to transmit RS-232 commands.
2	HDBaseT OUT	HDBaseT output port. Connect to HDBaseT receiver with a UTP cable.
3	POC switch	Use the switch to turn on/off POC function.
4	DV 24V	DV 24V power input port.

## POC (Power over Cable) Application Example



## Bidirectional RS-232 control Application Example



# Application Example

