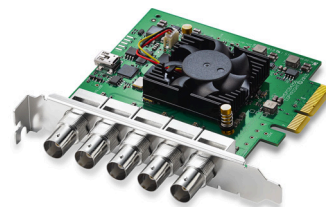


## DeckLink Duo 2



Featuring 4 independent 3G-SDI connections, DeckLink Duo 2 is a PCI Express capture and playback card that supports SDI formats in SD and HD up to 1080p60! You get the flexibility of 4 separate capture or playback cards in one! Plus, it's completely customizable so it's perfect for media play-out systems, multi screen digital signage servers, real time multi channel capture systems and more!

### Connections

#### SDI Video Inputs

4 x bidirectional 12-bit SD/HD independently configurable as either Input or Output.

#### SDI Video Outputs

4 x bidirectional 12-bit SD/HD independently configurable as either Input or Output.

#### SDI Audio Inputs

16 channels embedded in SD and HD.

#### SDI Audio Outputs

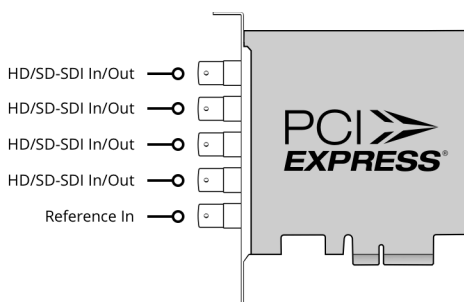
16 channels embedded in SD and HD.

#### Sync Input

Tri-Sync or Black Burst.

#### Computer Interface

PCI Express 4 lane generation 2, compatible with 4, 8 and 16 lane PCI Express slots.



---

## Supported Codecs

AVC-Intra, AVCHD, Canon XF MPEG2,  
Digital SLR, DV-NTSC, DV-PAL,  
DVCPRO50, DVCPROHD, DPX, HDV,  
HEVC, XDCAM EX, XDCAM HD, XDCAM  
HD422, DNxHR & DNxHD, Apple  
ProRes 4444, Apple ProRes 422 HQ,  
Apple ProRes 422, Apple ProRes LT,  
Apple ProRes 422 Proxy,  
Uncompressed 8-bit 4:2:2,  
Uncompressed 10-bit 4:2:2,  
Uncompressed 10-bit 4:4:4

---

## Software

### Software Included

Media Express, Disk Speed Test,  
LiveKey, Blackmagic Desktop Video  
Utility and Blackmagic driver on Mac  
OS and Windows. Media Express,  
Blackmagic Desktop Video Utility and  
Blackmagic driver on Linux.

### Internal Software Upgrade

Firmware built into software driver.  
Loaded at system start or via updater  
software.

### Physical Installation

PCI Express 4 lane generation 2,  
compatible with 4 and 8 lane PCI  
Express slots on Mac OS, Windows  
and Linux. Mac OS systems require a  
Mac Pro computer with PCI Express  
slots. Please check the Support pages  
to see the full system requirements.

---

## Software Applications



DaVinci Resolve



Fusion



Final Cut Pro X



Adobe Premiere Pro CC



Avid Media Composer



Adobe After Effects CC



Avid Pro Tools



Steinberg Cubase



Steinberg Nuendo



Adobe Photoshop CC

### Other supported applications include:

The Foundry Nuke, Grass Valley Edius, Sony Catalyst Production Suite, Tools On Air Just: Play & Live & In, Softron MovieRecorder & MReplay, Adobe Flash Media Live Encoder, Telestream Wirecast, Livestream Producer, Resolume Arena, Magix Vegas Pro & Movie Edit Pro Premium, Corel VideoStudio Pro, CyberLink PowerDirector, Vidblaster X & Studio & Broadcast, Uniplay One & CG, CasparCG Server, Magicsoft CG, Xsplit Broadcaster, Imagine Communications Velocity & InfoCaster, DevTek Easy Media Suite, Metus Ingest, Boinx Software MimoLive, Cinegy Capture Pro, vMix Live, Renewed Vision ProPresenter, Ventuz Director, Class X Liveboard & Coral CG, Glookast Capturer, Open Broadcaster Software Studio, Nautilus NEMO3D, Burst Video WebClip2Go & [REC]Marker, Autodesk Flame, Zoom.

---

## Video Standards

### SD Video Standards

525i59.94 NTSC, 625i50 PAL

### HD Video Standards

720p50, 720p59.94, 720p60  
1080p23.98, 1080p24, 1080p25,  
1080p29.97, 1080p30, 1080p50,  
1080p59, 1080p59.94, 1080p60  
1080PsF23.98, 1080PsF24,  
1080PsF25, 1080PsF29.97, 1080PsF30  
1080i50, 1080i59.94, 1080i60

### SDI Compliance

SMPTE 259M, SMPTE 292M, SMPTE 296M, SMPTE 372M, SMPTE 425M, ITU-R BT.656 and ITU-R BT.601.

### SDI Metadata Support

RP 188/SMPTE 12M-2 and closed captioning.

### Audio Sampling

Television standard sample rate of 48 kHz and 24 bit.

### SDI Color Precision

8, 10, 12-bit RGB 4:4:4 in all modes up to 1080p30 and 8, 10-bit YUV 4:2:2 in all modes. 12-bit RGB 4:4:4 only supported in playback.

### SDI Video Sampling

8, 10, 12-bit RGB 4:4:4 in all modes up to 1080p30 and 8, 10-bit YUV 4:2:2 in all modes. 12-bit RGB 4:4:4 only supported in playback.

### Color Space

REC 601, REC 709

---

## Processing

### Colorspace Conversion

Hardware based real time.

### HD Down Conversion

Built in, high quality software down converter on playback and capture. Down converted SD selectable between letterbox and anamorphic 16:9 styles.

### HD Up Conversion

Built in, high quality software up converter from SD to 720HD or 1080HD on input. Selectable between 4:3 pillarbox, 14:9 zoom and 16:9 zoom.

### Cross Conversion

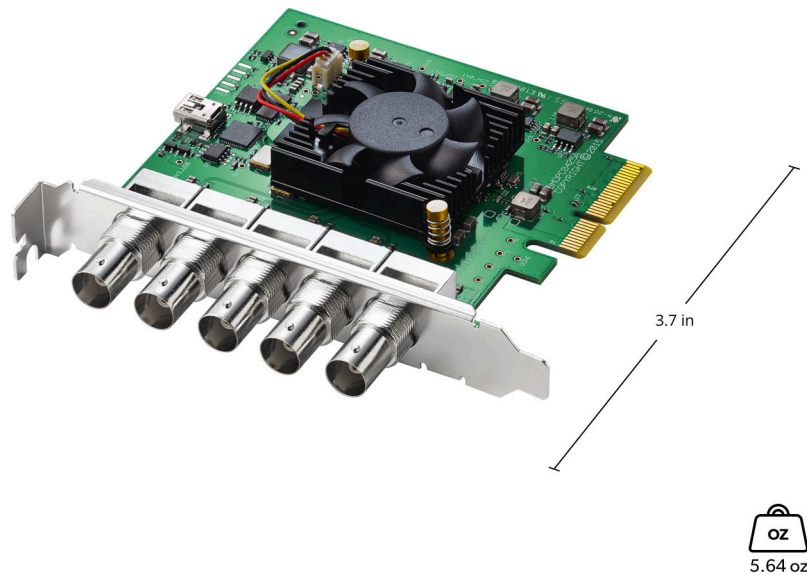
Built in, high quality software cross conversion from 720HD to 1080HD, 1080HD to 720HD on playback.

### Real Time Effects

DaVinci Resolve, Final Cut Pro X internal effects. Adobe Premiere Pro CC Mercury Playback Engine effects. Avid Media Composer internal effects.

---

## Physical Specifications



---

## Operating Systems



Mac 10.15 Catalina,  
Mac 11.1 Big Sur or later.



Windows 8.1 and 10, both 64-bit.



Linux

---

## Power Requirements

### Power Consumption

10 Watts

---

## Environmental Specifications

### Operating Temperature

5° to 40 ° C (32° to 104° F)

### Storage Temperature

-20° to 45° C (-4° to 113° F)

### Relative Humidity

0% to 90% non-condensing

---

## What's Included

DeckLink Duo 2

---

## Warranty

3 Year Limited Manufacturer's Warranty

All items on this website are copyright Blackmagic Design Pty. Ltd. 2021, all rights reserved. All trademarks are property of their respective owners. MSRP includes duties, but excludes sales tax and shipping costs. This website uses remarketing services to advertise on third party websites to previous visitors to our site. You can opt out at any time by changing cookie settings. [Privacy Policy](#)

Blackmagic Design Authorized Reseller