



## **KA041PRO RX HDMI EXTENDER 100M WITH IR RECEIVER (IMPROVED) – KAMEHA**



**KA041PRO RX is the upgraded version of KA041, screen latency only 0.2 seconds, compare to KA041 0.8 seconds**

**KA041PRO RX is not compatible with KA041**

HDMI extender extend the transmit length of HDMI Visual/Audio up to 100m (328 feet) with single network cable. Supports IR signal transmission, to control media playback of the signal source device at the display location.

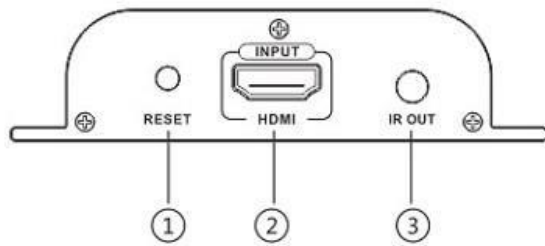
### **Features**

1. 100m/328ft HDMI Extender over IP with IR pass through
2. Screen latency only 0.2 seconds
3. HDMI signal extender over single CAT5/5e/6 cable
4. Extend and split by LAN (delivery by Router/switch)
5. Compatible with existing network, not affect Internet
6. Plug and play without any manual setting
7. Supports 1 transmitter + 253 receivers connection

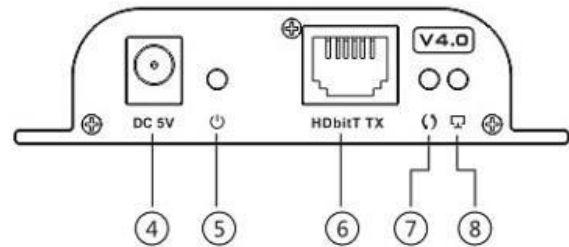
## Specification

Items	Specifications
HDMI Signal	Compatible with HDCP1.4
Supports resolutions	480i@60Hz, 480p@60Hz, 576i@50Hz, 576p@50Hz, 720p@50/60Hz,  1080i@50/60Hz, 1080p@50/60Hz
Network Cable	UTP/STP Cat5/5e/6
Transmission distance	Up to 120 meters transmission distance for 1080P Full HD over single CAT6
IR Signal	Supports 20~60KHz IR devices
Working Temperature	0°C~60°C
Power Supply	DC5V/1A
Power Consumption	TX: 3.5W; RX: 3W
Dimensions	130(W) x84(D) x23.2(H)mm *2pcs
Weight	TX:250g RX: 200g
Color	Black

## HDMI EXTENDER TX (Sender)

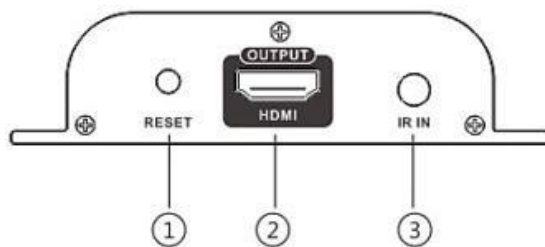


- ① Reset
- ② HDMI signal input
- ③ IR signal output to connect with blaster extension cable
- ④ Power input ( DC5V )

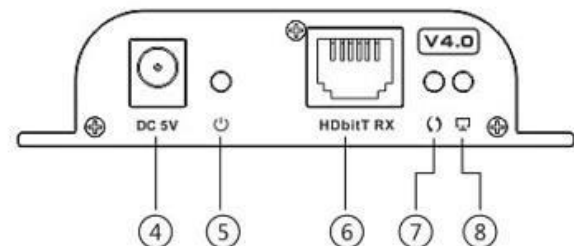


- ⑤ Power Light
- ⑥ HDbitT signal output
- ⑦ Data transmission light
- ⑧ Network link light

## HDMI EXTENDER RX (Receiver)



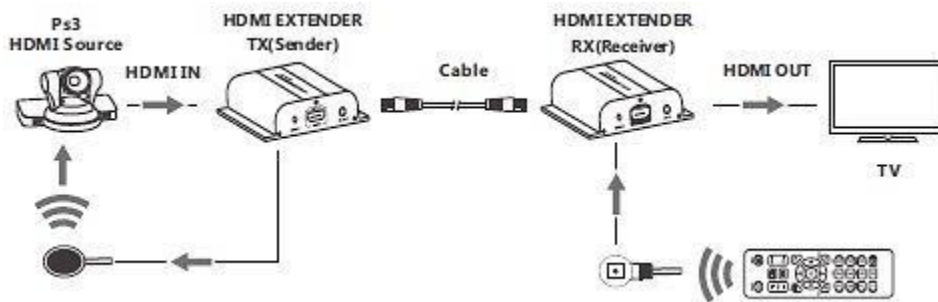
- ① Reset
- ② HDMI signal output
- ③ IR signal input to connect with IR receiver extension cable
- ④ Power input ( DC5V )



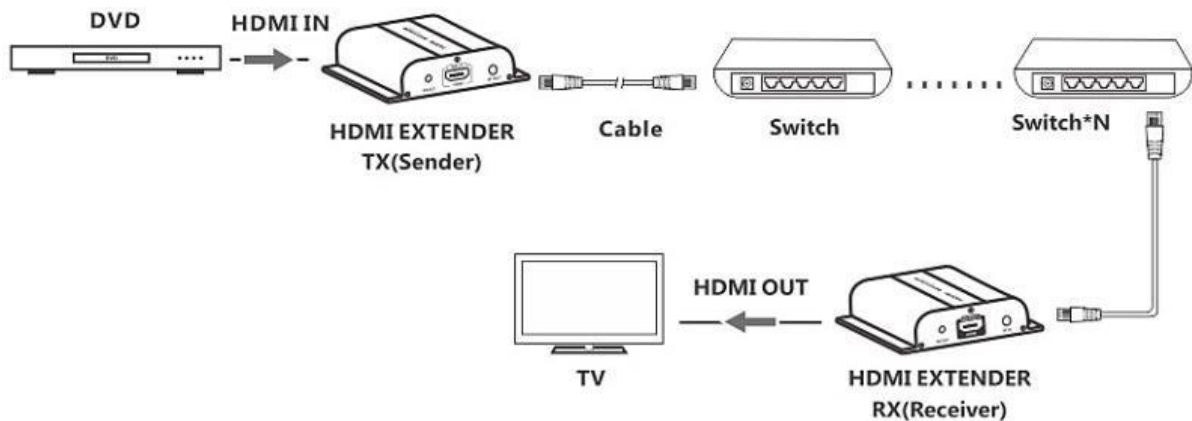
- ⑤ Power Light
- ⑥ HDbitT signal input
- ⑦ Data transmission light
- ⑧ Network link light

## Connections

1. **Point to Point connection:** Up to 100 meters transmission distance over single CAT6



2. **Router connection:** By using network router/repeater, realize unlimited extension.



3. **One-to-many connection:** By using network router/switch one sender to several receivers, realize extender & splitter function.

