



## KA080 HDMI 18GBPS REPEATER WITH 4K SCALER



The machine is a HDMI Repeater with one input and one output port, it can do scaler up/down/pass-through . Furthermore,both input and output HDMI support video resolution up to 4K2K@60Hz (YUV444) and HDMI high resolution digital audio formats bypass,LPCM 2CH, Dolby TrueHD, Dolby Digital Plus, Dolby Atmosand DTS-HD Master Audio, audio sampling rate up to 192 kHz. HDCP 2.2 and CEC bypass supported.

### Features

- ✦ HDMI 6G 20M Re-timer & Repeater with scaling
- ✦ Amplifies and equalizes the HDMI signal to provide high quality audio and video
- ✦ HDMI extension transmission over long cable and supports multiple layers cascading
- ✦ Support display resolutions up to 4K2K@30Hz,1080P@120Hz,and 1080P 3D@60Hz
- ✦ 20 meters HDMI high-speed cable extender (input max 10 meters, output max 10 meters at 4K2K@60Hz)  
30 meters HDMI high-speed cable extender (input max 18 meters, output max 12 meters at 4K2K@30Hz)  
40 meters HDMI high-speed cable extender (input max 25 meters, output max 15 meters at 1080p)

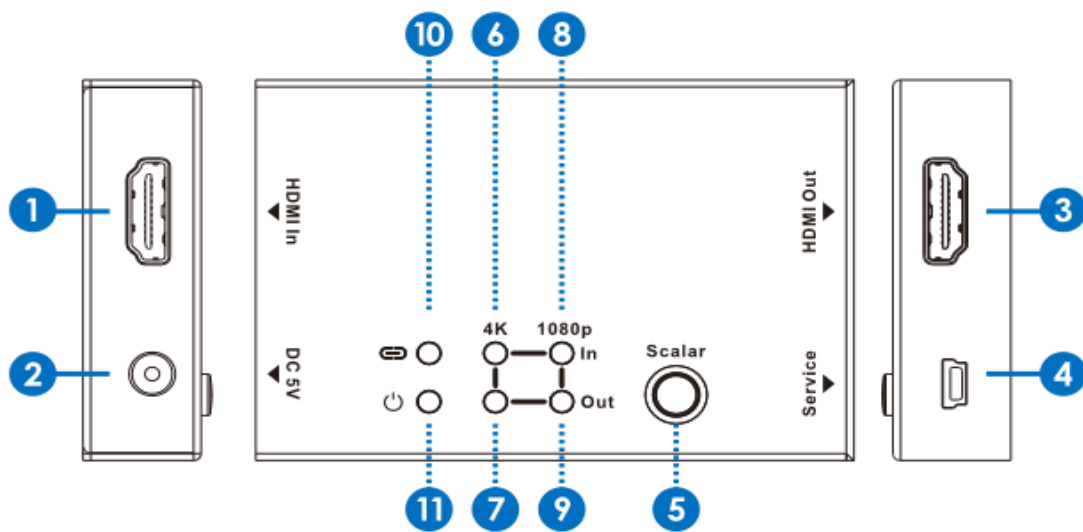
- ✧ Supports scaling up/down between 4K and 1080p (no frame rate conversion)
- ✧ HDCP 2.2 or HDCP 1.4 indicator
- ✧ Dolby® TrueHD, DTS-HD Master Audio™, and LPCM digital audio streams up to 7.1 channels
- ✧ HDCP/3D/CEC/Lip-Sync pass-through

## Specification

Technical	
<b>HDMI Compliance</b>	HDMI 2.0b
<b>HDCP Compliance</b>	HDCP 2.2 and HDCP 1.4
<b>Video Bandwidth</b>	18Gbps
<b>Video Resolutions</b>	up to 4K2K@50/60Hz(YUV4:4:4),4K2K@30Hz, 1080P@120Hz, and 1080P 3D@60Hz
<b>Color Space</b>	RGB, YCbCr 4:4:4, YCbCr 4:2:2
<b>Color Depth</b>	10-bit, 12-bit
<b>HDMI Audio Formats (Pass-through)</b>	LPCM 2/5.1/7.1CH, Dolby Digital, DTS 5.1, Dolby Digital+, Dolby TrueHD, DTS-HD Master Audio
<b>ESD Protection</b>	Human body model — ±8kV (air-gap discharge) & ±4kV (contact discharge)
Connections	
<b>Inputs</b>	1x HDMI Type A [19-pin female]
<b>Outputs</b>	1x HDMI Type A [19-pin female]
<b>USB Connector</b>	1x Mini-USB (firmware upgrade only)
<b>DC POWER</b>	5V-1A DC-JACK
Mechanical	
<b>Housing</b>	Metal Enclosure
<b>Color</b>	Black
<b>Dimensions</b>	81mm [W] x 55mm [D] x 16mm [H]
<b>Weight</b>	135g
<b>Power Supply</b>	Input: AC100 - 240V 50/60Hz Output: DC 5V/1A (US/EU standards, CE/FCC/UL certified)
<b>Power Consumption</b>	3W(Max)
<b>Operation Temperature</b>	32 - 104°F / 0 - 40°C
<b>Storage temperature</b>	-4 - 140°F / -20 - 60°C
<b>Relative Humidity</b>	20 - 90% RH (no condensation)

# Operation Controls and Functions

## Front panel



- ① **HDMI In:** HDMI signal input port
- ② **DC-5V:** 5V-1A power in
- ③ **HDMI Out:** HDMI signal output port
- ④ **Service:** Firmware update port
- ⑤ **Scaler:** scaling up/down between 4K and 1080p/pass through
- ⑥ **4K In:** 4K HDMI signal input blue LED indicator
- ⑦ **4K Out:** 4K HDMI signal output blue LED indicator
- ⑧ **1080p in:** 1080p HDMI signal input blue LED indicator
- ⑨ **1080p Out:** 1080p HDMI signal output blue LED indicator
- ⑩ Detect the signal input blue LED indicator
- ⑪ Power input red LED indicator

# Connection Diagram

