



## KA064 2 PORT HDMI SPLITTER V2.0 – KAMEHA



### Introduction

1x2 HDMI splitter distributes 1 HDMI source to 2 HDMI displays simultaneously. Apply for STB, DVD, Media Player, Laptop, D-VHS and other HD-Player devices. It's compatible with HDMI 3D and 4Kx2K.

### Feature:

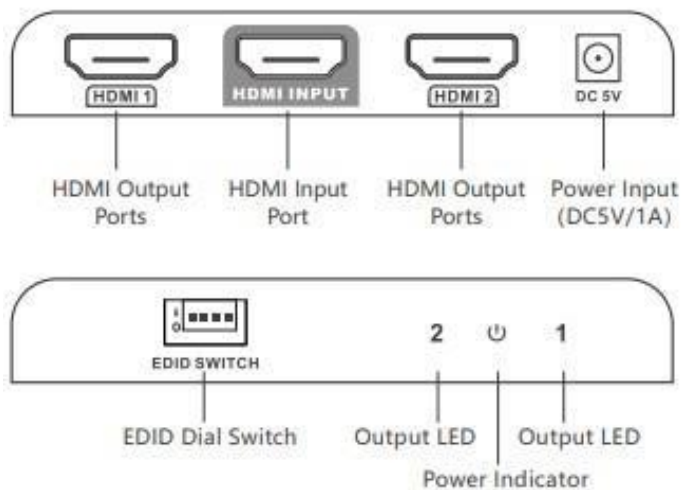
1. Distribute 1 HDMI source to 2 HDMI displays
2. Support ultra HD resolution 4Kx2K@60Hz
3. Support HDMI 3D
4. Support YUV 4:4:4
5. Support HDR
6. HDMI 2.0 and HDCP2.2 compliant
7. Low power consumption
8. Support configures the video resolution automatically according to the capabilities of each connected monitor, allows simultaneous mixed 4K and 1080p display outputs
9. Plug and play

## Specification

Items	Specifications
Input ports	1 x HDMI
Output ports	2 x HDMI
Power indicator led	1 xLED
Signal indicator led	2 xLED
HDMI Version	Compatible with HDMI 2.0, HDMI 1.4
HDCP Version	Compatible with HDCP1.4, HDCP2.2
HDMI Resolution	480i/480p/576i/576p/720p/1080i/1080p/ 4K×2K@24/25/30/60Hz
Frequency Range	25MHz~594MHz
Video form	Support 3D video and 4K×2K@30/60Hz ultra HD video
Input and output TMDS signal	0.7~1.2Vp-p(TMDS)
Input and output DDC signal	5Vp-p(TTL)
Audio	Support standard audio and DSD ( Direct Stream Digital ) and HD(HBR) audio
HDR	Support
EDID management	Support smart EDID management, available to display different resolution monitors at the same time
Working temperature	0°C ~ 60°C

Power supply	DC5V/1A
Power consumption	<2.5W
Dimension	96mm(L)x59mm(W)x 16.8mm(H)
Weight	100g
Color	Black

## Panel Description



## Operation

- 1) Before output HDMI signal, the splitter will read EDID information of connected TVs and send it back to HDMI source part to let it determine the output mode.
- 2) Indicator led shows the working status.
- 3) The splitter is build-in 16 kinds of EDID that can be selected by 4 switch codes, corresponding as following.



Switch up for "1"



Switch down for "0"

	1	2	3	4	EDID information
Switch	0	0	0	0	4k@60Hz 2CH
	1	0	0	0	4k@60Hz 7.1CH
	0	1	0	0	4k@30Hz 2CH
	1	1	0	0	4k@30Hz 7.1CH
	0	0	1	0	1080p@60Hz 2CH
Status	1	0	1	0	1080p@60Hz 7.1CH
	0	1	1	0	1080i@60Hz 2CH
	1	1	1	0	1080i@60Hz 7.1CH
	0	0	0	1	1080p@50Hz 2CH

1	0	0	1	1080P@50Hz 7.1CH
0	1	0	1	4K@30Hz HDR
1	1	0	1	4K@60Hz HDR
0	0	1	1	Copy once
1	0	1	1	MIX1
0	1	1	1	MIX2
1	1	1	1	MIX3

**[NOTE]**

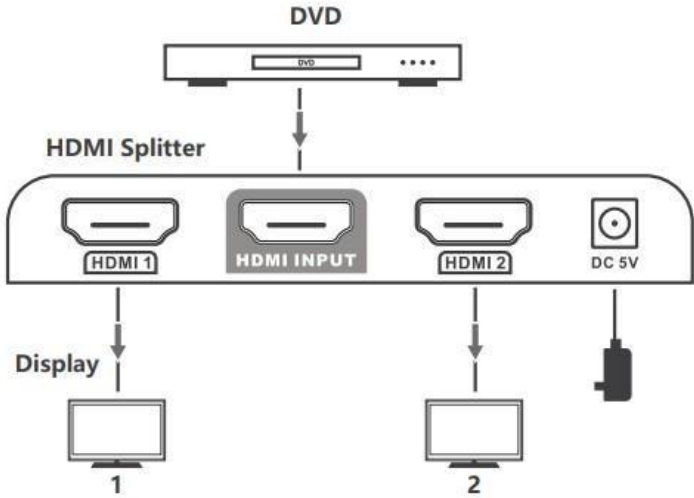
Copy Once: Read the EDID of the first connected output only

MIX1: Lowest format of audio, and lowest format of video

MIX2: Highest format of audio, and compose down scaling of video

MIX3: Lowest format of audio, and compose down scaling of video.

**Installation and Connection**



**Connection instruction**

- 1) Connect the HDMI video source output port to the splitter input port by HDMI cable
- 2) Connect the splitter output port to HDMI display by HDMI cable
- 3) Set the TV input to right HDMI channel
- 4) Power on the splitter (Power indicator led will light on)